

SAN MATEO COUNTY DEPARTMENT

OF

PUBLIC WORKS

DRAWN BY: D.P.

CHECK BY: J.A.L.

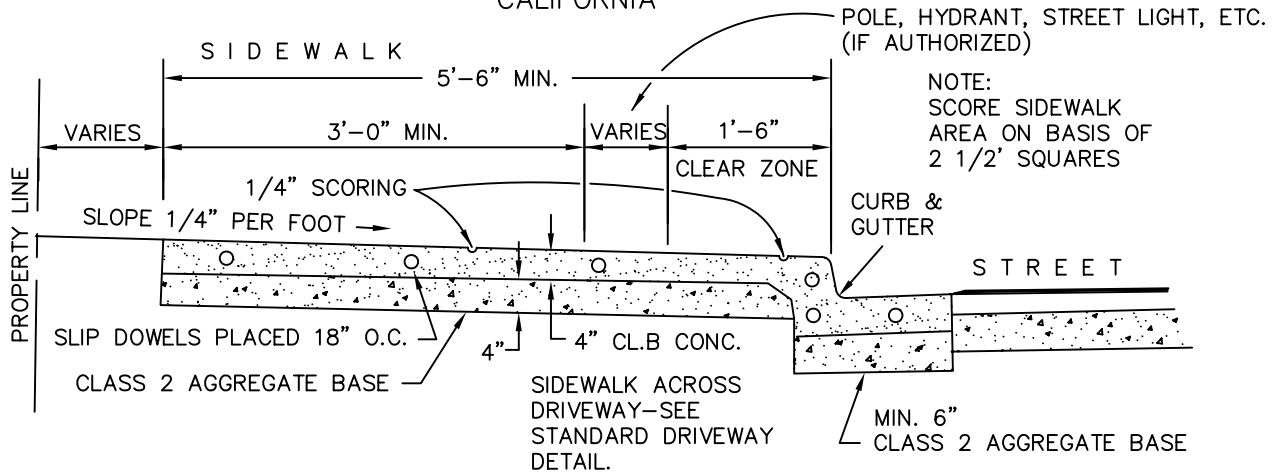
APPROVED BY: N.R.C.

SCALE: NONE

DATE: 6/95

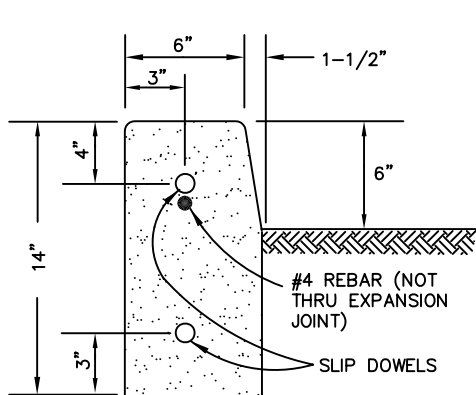
REVISED: 4/97

REDWOOD CITY
CALIFORNIA

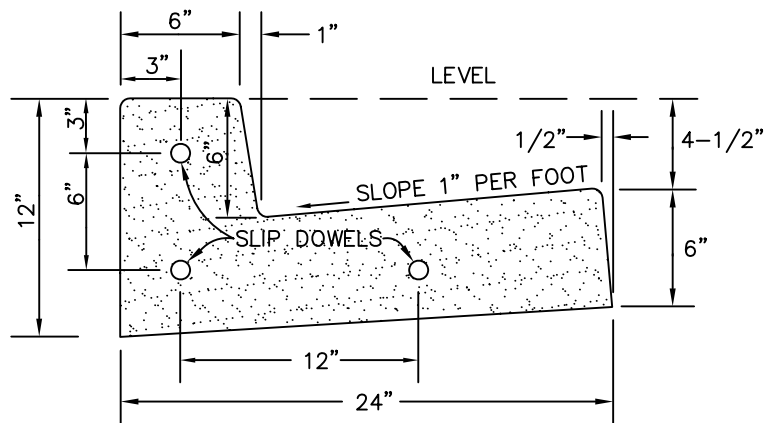


**TYPICAL SECTION
URBAN CURB, GUTTER AND SIDEWALK**

NOTE: OBSTRUCTIONS SUCH AS POLES, HYDRANTS, STREET SIGNS, UTILITY BOXES, STREET LIGHTS, ETC. SHALL BE LOCATED BEHIND THE SIDEWALK, UNLESS OTHERWISE SPECIFICALLY AUTHORIZED BY THE DIRECTOR OF PUBLIC WORKS. A CLEAR ZONE ALONG THE CURB AND SIDEWALK 18 INCHES IN WIDTH (MEASURED FROM THE FACE OF THE CURB) SHALL BE KEPT CLEAR AND OPEN FROM ALL OBSTRUCTIONS. IN ADDITION, AN AREA 3 FEET IN WIDTH ALONG THE SIDEWALK, EXCLUSIVE OF THE CURB WIDTH, SHALL BE KEPT CLEAR AND OPEN FROM ALL OBSTRUCTIONS IN COMPLIANCE WITH THE STATE BUILDING CODE (PART 2, TITLE 24, C.A.C.).



A1-6 CURB



CURB AND GUTTER

TYPICAL SECTIONS

NOTES:

1. ALL CONCRETE TO BE CLASS B CONCRETE.
2. MINIMUM SIDEWALK THICKNESS = 4 INCHES PCC.
3. PLACE 1/2" DIAMETER X 18" LONG DOWELS AT EXPANSION JOINTS AS SHOWN.
4. PLACE 1/2" THICK EXPANSION JOINTS FULL WIDTH 20' ON CENTER.
5. CONSTRUCT MONOLITHIC CURB, GUTTER AND SIDEWALK UNLESS OTHERWISE SPECIFICALLY AUTHORIZED BY THE DIRECTOR OF PUBLIC WORKS.
6. SUB-BASE MATERIALS WITHIN 30" OF SUBGRADE SHALL BE COMPACTED TO 95%.