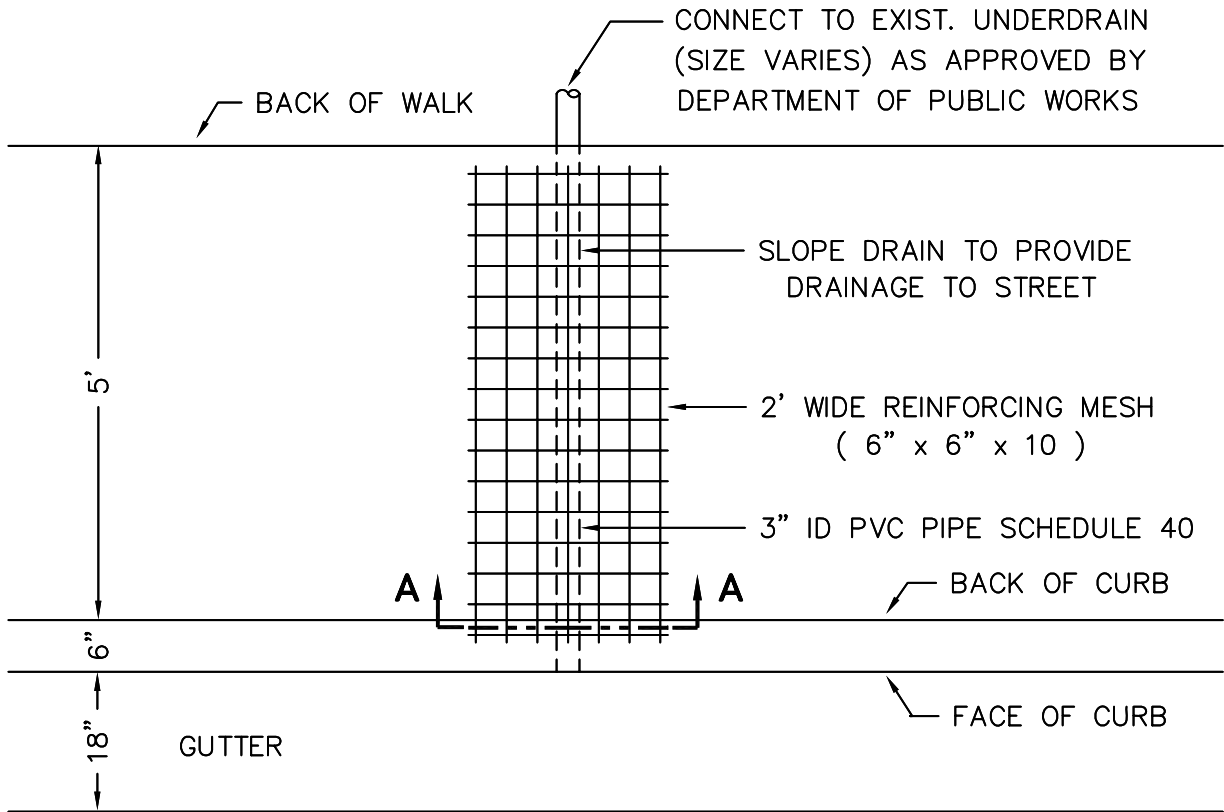


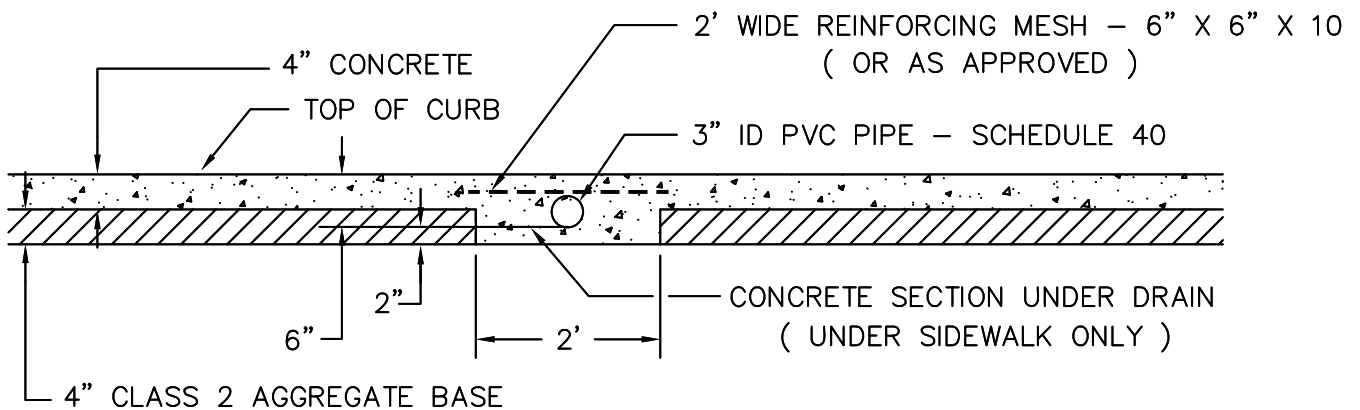
SAN MATEO COUNTY DEPARTMENT
OF
PUBLIC WORKS
.....
REDWOOD CITY
CALIFORNIA

DRAWN BY: M.L.
CHECK BY: J.A.L.
APPROVED BY: N.C.R.

SCALE: NONE
DATE: 6/95
REVISED: 4/97



PLAN



SECTION A-A

DRAINAGE UNDER SIDEWALK